



Rigid PCR Plates

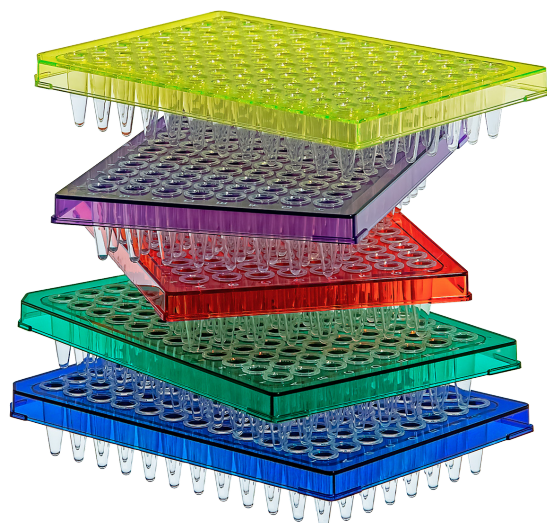


Discover the Next Generation of PCR Plates: Rugged Polycarbonate Frame + Polypropylene Wells

Engineered for unparalleled durability, UltraFlux® DuraFrame™ PCR Plates are designed to accommodate all laboratory workflows and are ideal for use on automated liquid handling platforms.

DuraFrame™ sets a new standard in performance and convenience.

- Polycarbonate frame is rigid and flat to facilitate a firm grip by robotic arms and ensure reliable placement.
- Polypropylene wells provide optimal thermal transfer and higher reaction efficiency.
- White well options enhance the fluorescence signal during qPCR.
- Wells are slightly raised to ensure evaporation-proof sealing with film, foil, or strip caps.
- ANSI/SBS footprint and well spacing.
- Vibrant colors offer a visual distinction between different samples or experiments.



Trust Scientific Specialties for PCR consumables that deliver accurate and reproducible results, empowering you to make groundbreaking discoveries.

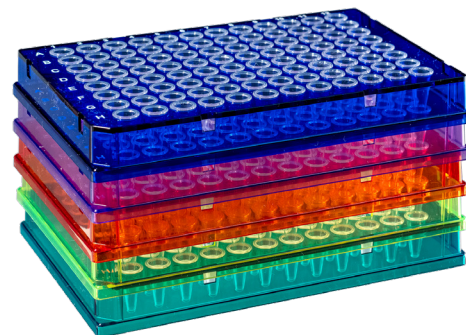
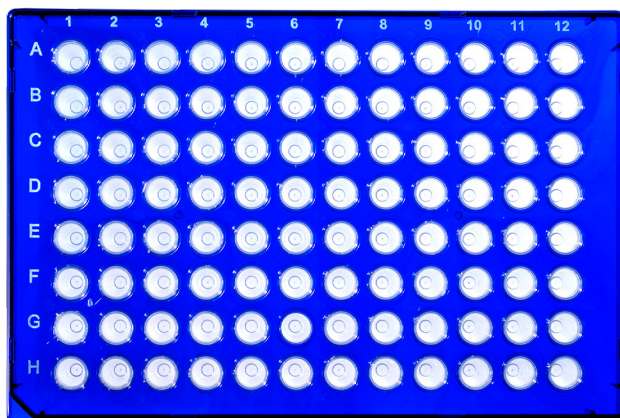
DuraFrame™ Rigid PCR Plates

		96-Well Full-Skirt 0.1mL	96-Well Semi-Skirt 0.2 mL	384-Well, Full-Skirt A24 Notch	384-Well, Full-Skirt A24, P24 Notches
Frame Color	Well Color	Item #	Item #	Item #	Item #
Clear	Clear	3742-00S ²	3750-00S	3735-00S ²	3730-00S ²
Blue	Clear	3742-01S	3750-01S	3735-01S	--
Green	Clear	3742-02S	3750-02S	3735-02S	--
Red	Clear	3742-04S	3750-04S	3735-04S	--
Violet	Clear	3742-05S	3750-05S	3735-05S	--
Yellow	Clear	3742-06S	3750-06S	3735-06S	--
Assorted ¹	Clear	3742-09S	3750-09S	3735-09S	--
Black	White	3742-WKS ²	--	3735-WKS ²	--

¹ Assorted colors include Blue, Green, Red, Violet, Yellow. ² Available with barcode. Custom barcoding available.

96-Well Rigid P Plate

0.1 ML FULL-SKIRT



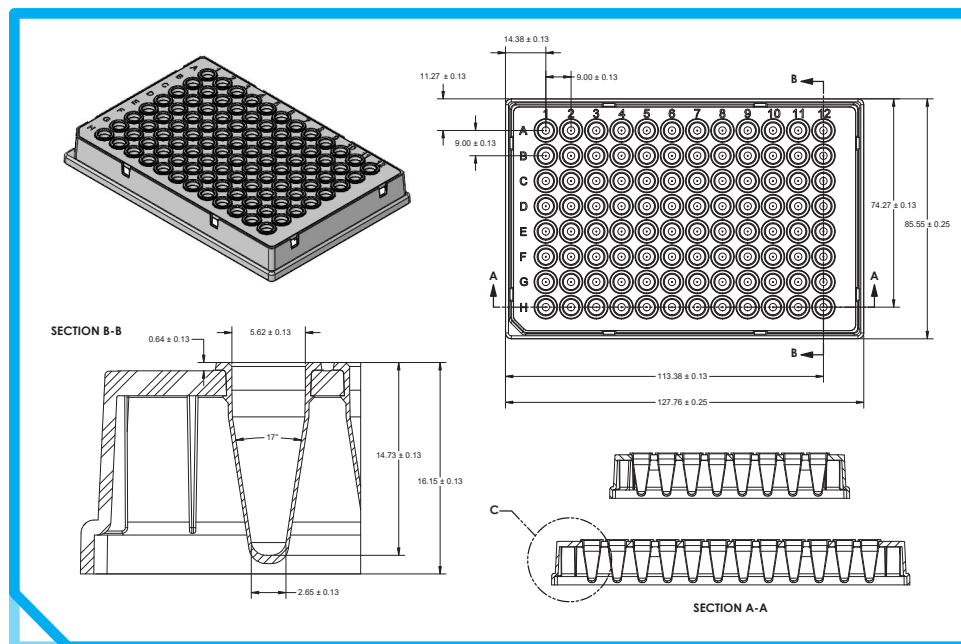
96-Well, DuraFrame™ Rigid PCR Plate Full-Skirt, H12 Notch

- Polycarbonate frame is rigid and flat to facilitate a firm grip by robotic arms and ensure reliable placement.
- Polypropylene wells provide optimal thermal transfer and higher reaction efficiency.
- White well options enhance the fluorescence signal during qPCR.
- Wells are slightly raised to ensure evaporation-proof sealing with film, foil, or strip caps.
- ANSI/SBS footprint and well spacing.
- Vibrant colors offer a visual distinction between different samples or experiments.

Item #	Well Color	Frame Color
3742-00S	Clear	Clear
3742T00S ¹	Clear	Clear
3742-01S	Clear	Blue
3742-02S	Clear	Green
3742-04S	Clear	Red
3742-05S	Clear	Violet
3742-06S	Clear	Yellow
3742-09S	Clear	Assorted ²
3742-W0S	White	Clear
3742TW0S ¹	White	Clear

¹Pre-barcoded on P1-P24 front side.

² Assorted Colors: Blue, Green, Red, Violet, Yellow.



Drawing not to scale.

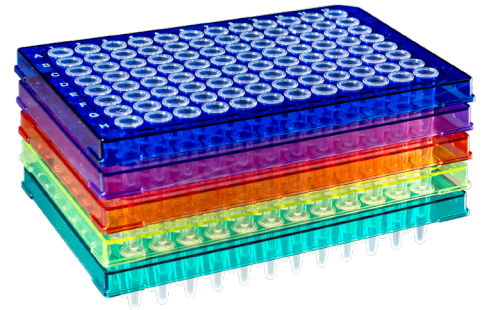
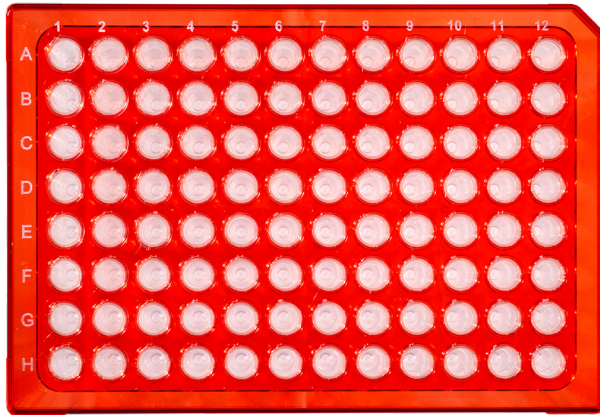
All dimensions are in mm, unless otherwise noted.

Blue frame is to scale with actual size plate.

Dimensions	
Length at Base Plane	127.76 mm
Width at Base Plane	85.56 mm
Height	16.15 mm
Well Depth	14.73 mm
Well Diameter at Opening	5.62 mm
Well Diameter at Bottom of Conical Base	2.65 mm
Well Volume	100 µL
Well Spacing	9.0 mm
Well Angle	17 degrees
Well Offset	
Left Edge to Well A1	14.38 mm
Top Edge to Well A1	11.27 mm
Left Edge to H12	127.76 mm
Top Edge to H12	74.27 mm

96-Well Rigid PCR Plate

0.2 ML SEMI-SKIRT



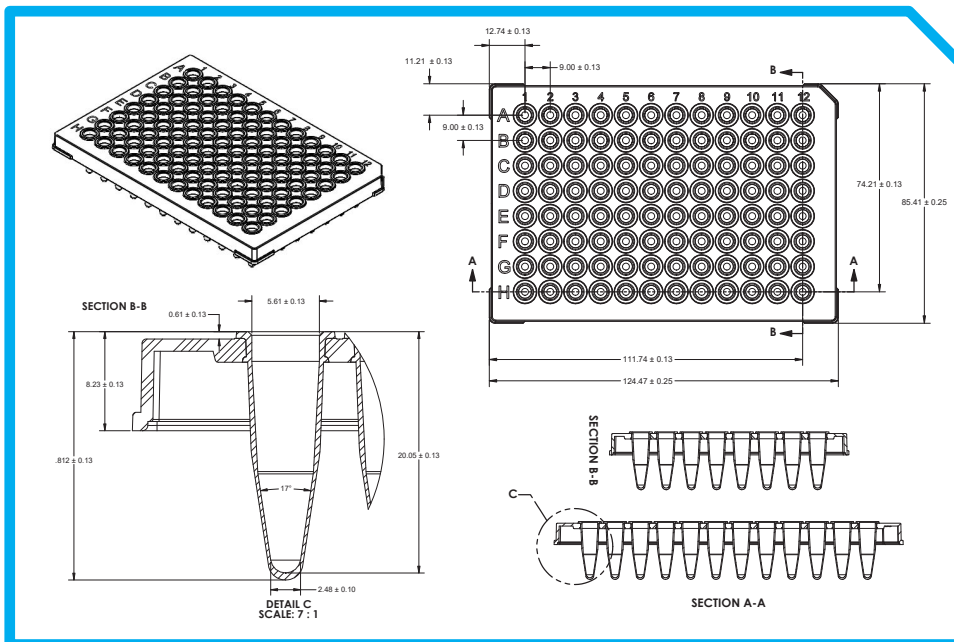
96-Well, DuraFrame™ Rigid PCR Plate Semi-Skirt, A12 Notch

- Polycarbonate frame is rigid and flat to facilitate a firm grip by robotic arms and ensure reliable placement.
- Polypropylene wells provide optimal thermal transfer and higher reaction efficiency.
- Wells are slightly raised to ensure evaporation-proof sealing with film, foil, or strip caps.
- ANSI/SBS footprint and well spacing.
- Vibrant colors offer a visual distinction between different samples or experiments.

Item #	Well Color	Frame Color
3750-00S	Clear	Clear
3750T00S¹	Clear	Clear
3750-01S	Clear	Blue
3750-02S	Clear	Green
3750-04S	Clear	Red
3750-05S	Clear	Violet
3750-06S	Clear	Yellow
3750-09S	Clear	Assorted ²

¹Pre-barcoded on P1-P24 front side.

² Assorted Colors: Blue , Green, Red, Violet, Yellow.



Drawing not to scale.

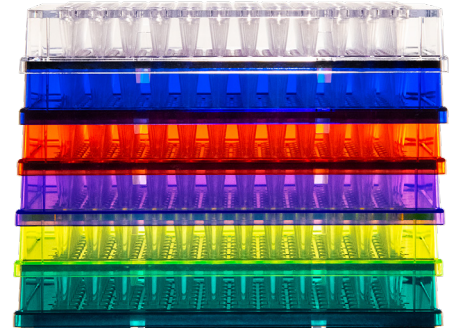
All dimensions are in mm, unless otherwise noted.

Blue frame is to scale with actual size plate.

Dimensions	
Length at Base Plane	124.47 mm
Width at Base Plane	85.41 mm
Height	21.81 mm
Well Depth	20.05 mm
Well Diameter at Opening	5.61 mm
Well Diameter at Bottom of Conical Base	2.48 mm
Well Volume	200 µL
Well Spacing	9.0 mm
Well Angle	17 degrees
Well Offset	
Left Edge to Well A1	12.74 mm
Top Edge to Well A1	11.21 mm
Left Edge to H12	111.74 mm
Top Edge to H12	74.21 mm

384-Well Rigid PCR Plate

FULL-SKIRT, SINGLE NOTCH AT A24



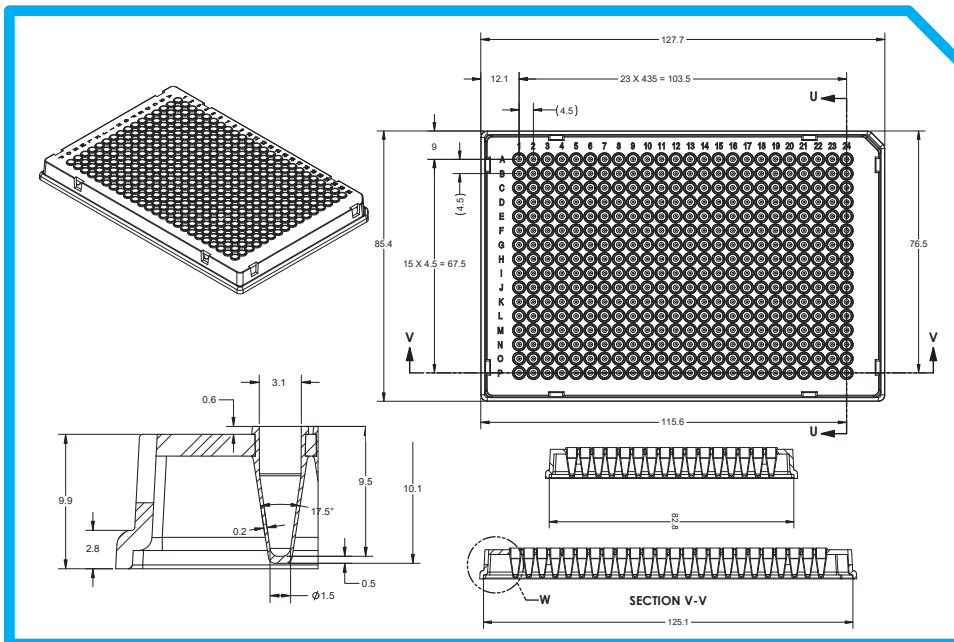
30 μ L 384-Well, Full-Skirt, A24 Notch DuraFrame™ Rigid PCR Plate

- Polycarbonate frame is rigid and flat to facilitate a firm grip by robotic arms and ensure reliable placement.
- Polypropylene wells provide optimal thermal transfer and higher reaction efficiency.
- White well options enhance the fluorescence signal during qPCR.
- Wells are slightly raised to ensure evaporation-proof sealing with film, foil, or strip caps.
- ANSI/SBS footprint and well spacing.
- Vibrant colors offer a visual distinction between different samples or experiments.

Item #	Well Color	Frame Color
3735-00S	Clear	Clear
3735T00S ¹	Clear	Clear
3735-01S	Clear	Blue
3735-02S	Clear	Green
3735-04S	Clear	Red
3735-05S	Clear	Violet
3735-06S	Clear	Yellow
3735-09S	Clear	Assorted ²
3735-W0S	White	Clear
3735TW0S ¹	White	Clear

Dimensions

Weight	26.033 g
Length at Base Plane	127.7 mm
Width at Base Plane	85.4 mm
Height	10.1 mm
Well Depth	9.5 mm
Well Diameter at Opening	3.1 mm
Well Diameter at Bottom of Conical Base	1.5 mm
Well Volume	30 μ L
Well Spacing	4.5 mm
Well Angle	17.5 degrees
Well Offset	
Left Edge to Well A1	12.1 mm
Top Edge to Well A1	9.0 mm
Left Edge to P12	115.6 mm
Top Edge to P12	76.5 mm



Drawing not to scale.

All dimensions are in mm, unless otherwise noted.

Blue frame is to scale with actual size plate.

¹Pre-barcoded on P1-P24 front side.

² Assorted Colors: Blue, Green, Red, Violet, Yellow.

384-Well Rigid PCR Plate

FULL-SKIRT, DUAL_NOTCH AT A24 & P24

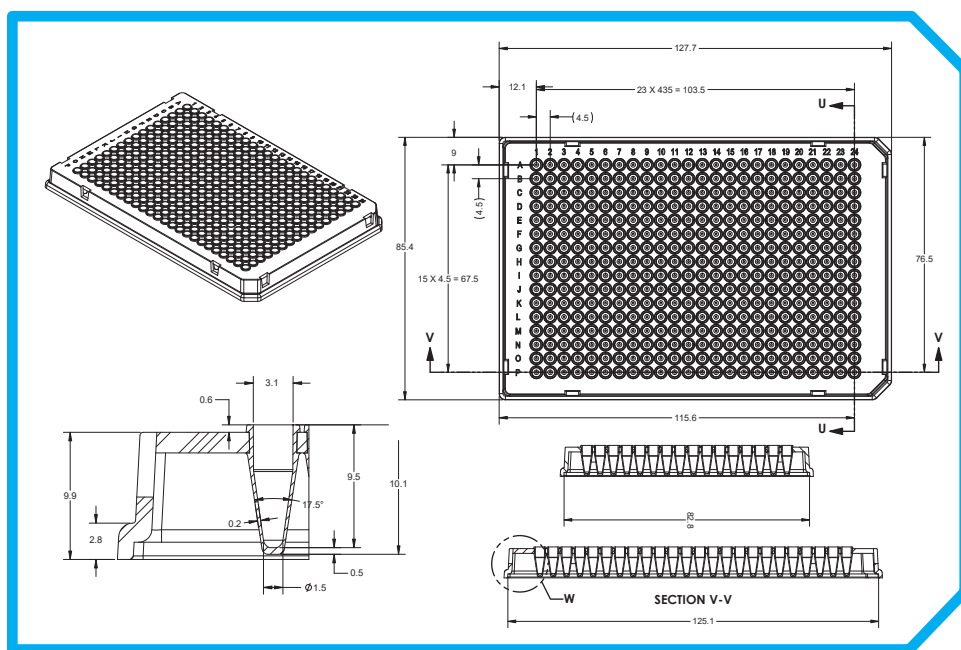


30 μ L 384-Well, Full-Skirt, A24, P24 Notch DuraFrame™ Rigid PCR Plate

- Polycarbonate frame is rigid and flat to facilitate a firm grip by robotic arms and ensure reliable placement.
- Polypropylene wells provide optimal thermal transfer and higher reaction efficiency.
- Wells are slightly raised to ensure evaporation-proof sealing with film, foil, or strip caps.
- ANSI/SBS footprint and well spacing.

Item #	Well Color	Frame Color
3730-005	Clear	Clear
3730T005 ¹	Clear	Clear

¹Pre-barcoded on P1-P24 front side.



Drawing not to scale.

All dimensions are in mm, unless otherwise noted.

Blue frame is to scale with actual size plate.

Dimensions	
Weight	25.901 g
Length at Base Plane	127.7 mm
Width at Base Plane	85.4 mm
Height	10.1 mm
Well Depth	9.5 mm
Well Diameter at Opening	3.1 mm
Well Diameter at Bottom of Conical Base	1.5 mm
Well Volume	30 μ L
Well Spacing	4.5 mm
Well Angle	17.5 degrees
Well Offset	
Left Edge to Well A1	12.1 mm
Top Edge to Well A1	9.0 mm
Left Edge to P12	115.6 mm
Top Edge to P12	76.5 mm